



**Part no.: 560343**  
**BT-SET-240CCS**  
**Mounting bracket set**

Figure can vary

## Contents

- . Technical data
- . Set consists of
- . Dimensioned drawings



Part no.: 560343 – BT-SET-240CCS – Mounting bracket set

## Technical data

### Basic data

Suitable for MLD-M002, MLD-M003 deflecting mirror

### Mechanical data

Type of fastening, at system Through-hole mounting

Type of fastening, at device Clampable

Type of mounting device Shock absorber  
Turning, 240°


Mounting device material Metal

### Classification

eCl@ss 8.0 27279202

eCl@ss 9.0 27273701

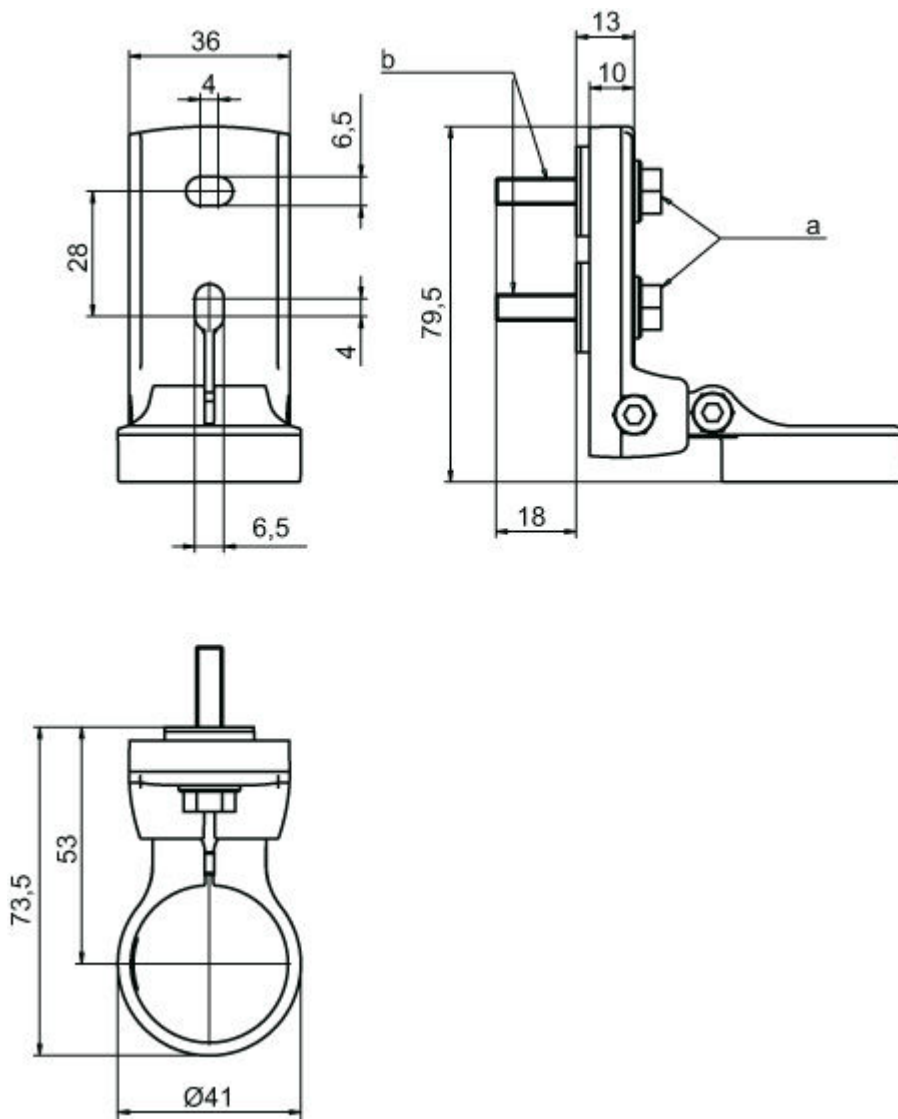
## Set consists of

	Quantity	Part no.	Designation	Article	Description
	2	560345	BT-SET-240CS	Mounting bracket	Mounting bracket, at system: Through-hole mounting Mounting bracket, at device: Clampable Type of mounting device: Turning, 240°, Shock absorber Material: Metal Shock absorber: Yes

## Dimensioned drawings

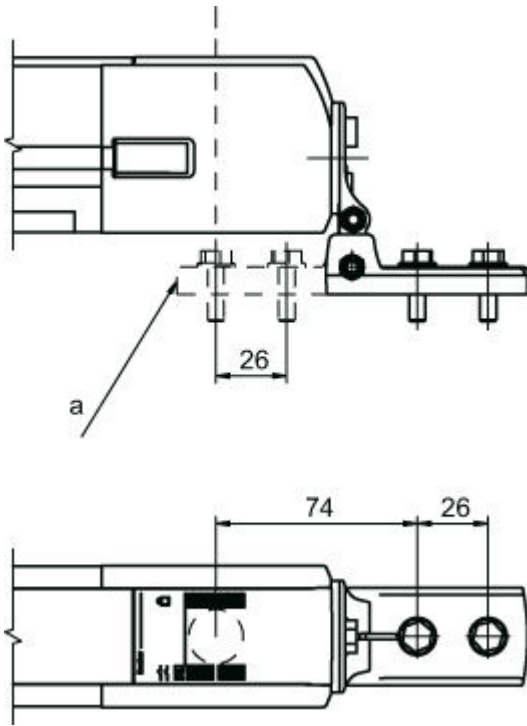
All dimensions in millimeters

## BT-SET-240CS swivel mount



- a M6 screw  
b Shock absorber, M6 thread

Mounting dimensions



a Alternative mounting variant

Mounting variants

